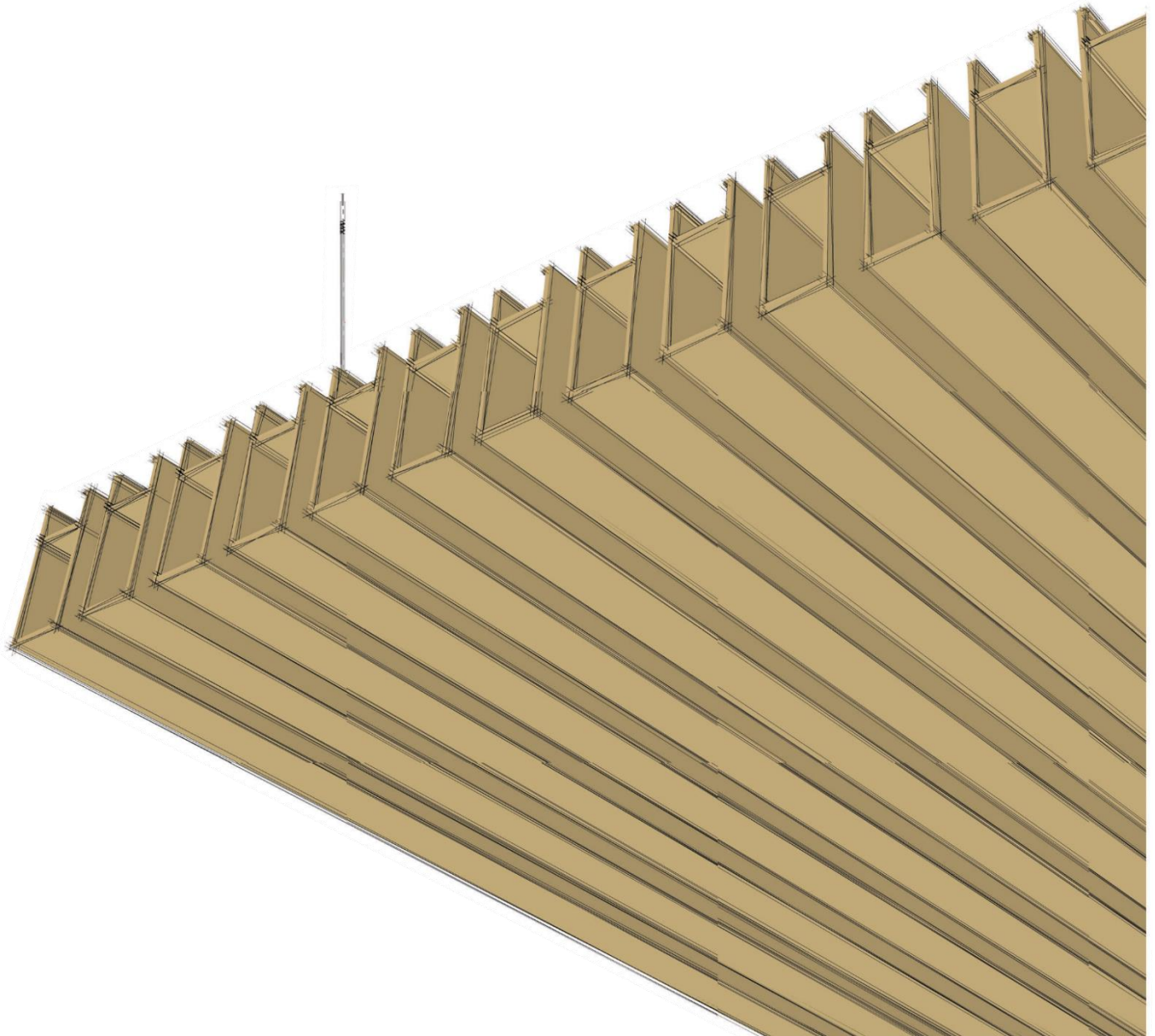


**boisdeck**  
Timberdeck Sdn. Bhd. (945282-V)

*A Perfect Blend of WPC Technology and Art*



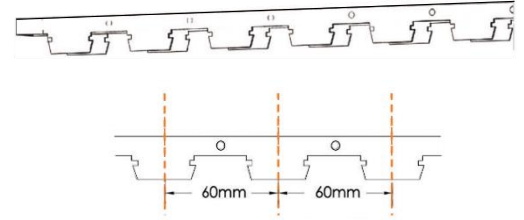
# **BASIC INSTALLATION GUIDE**

## **CEILING DECK**

# Ceiling Deck Components

## 1. Boisdeck Carrier

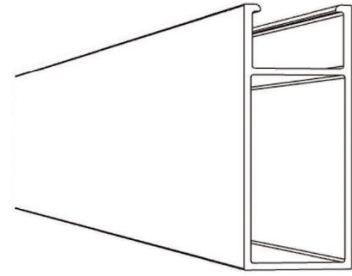
3050mm length x 25mm width x 27mm height



## 2. Boisdeck Ceiling Deck

Available in one size:

3050mm length x 39.5mm width x 95mm height



# Fittings and Tools Recommended

## Fittings

Expansion Bolt

Suspended Rod

Carrier

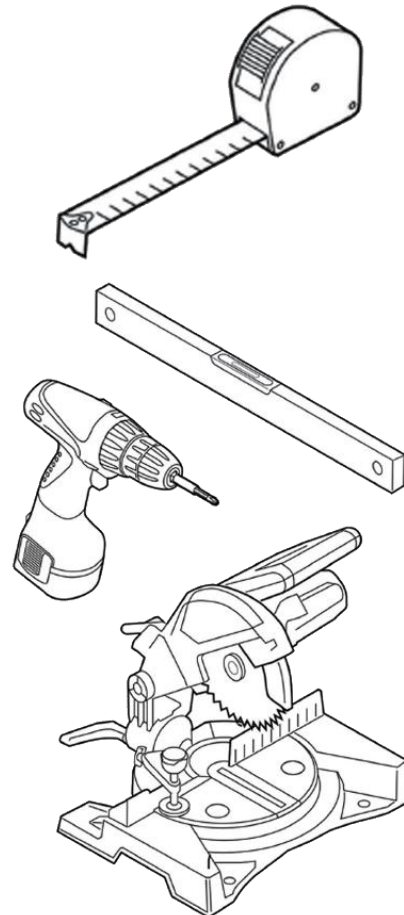
## Tools

Tape measure

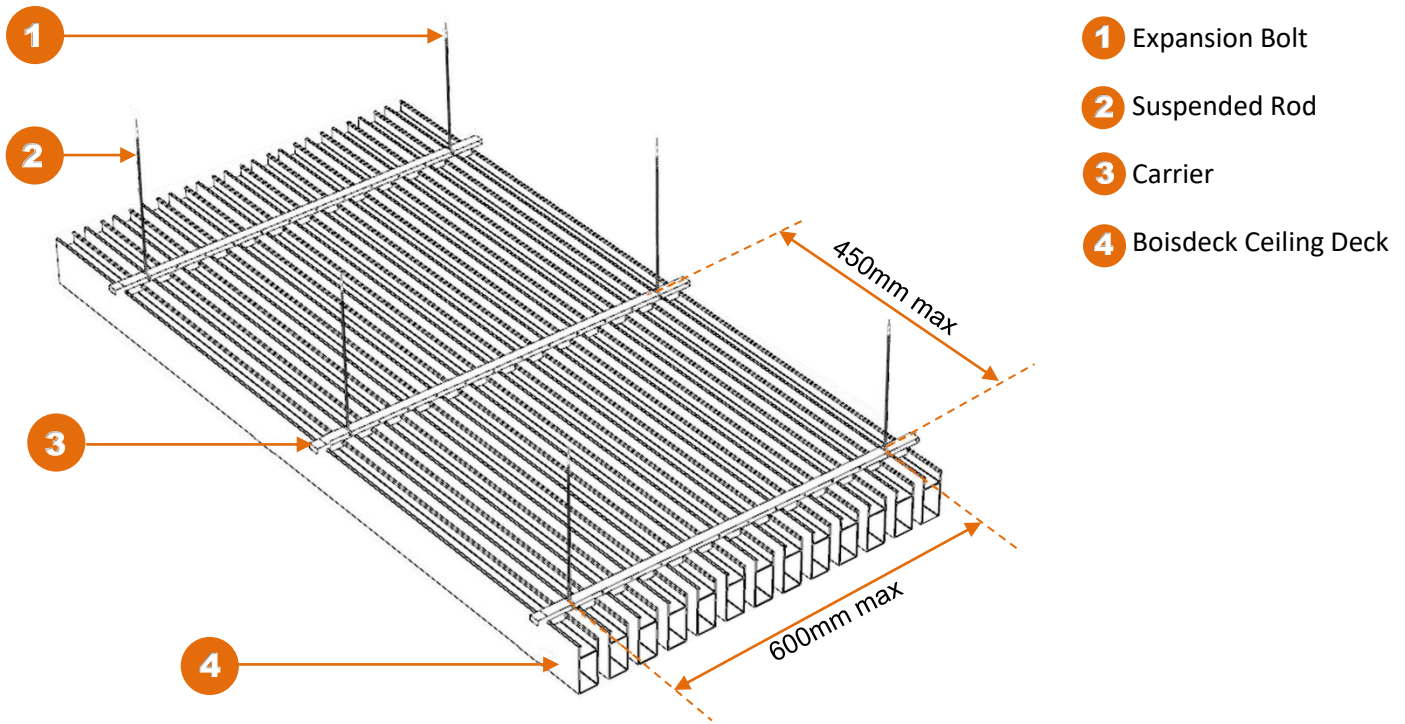
Spirit level

Power screwdriver

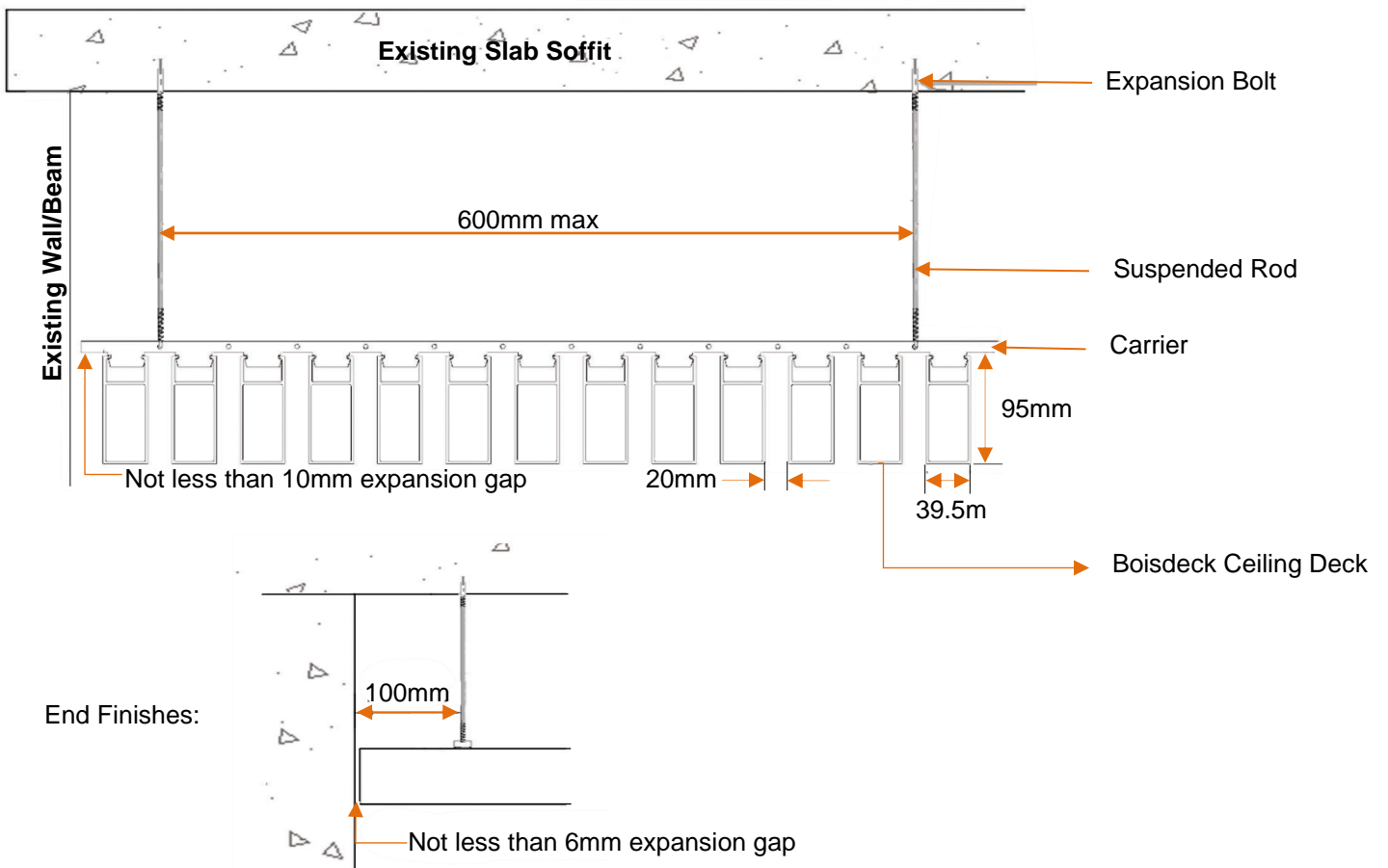
Mitre saw



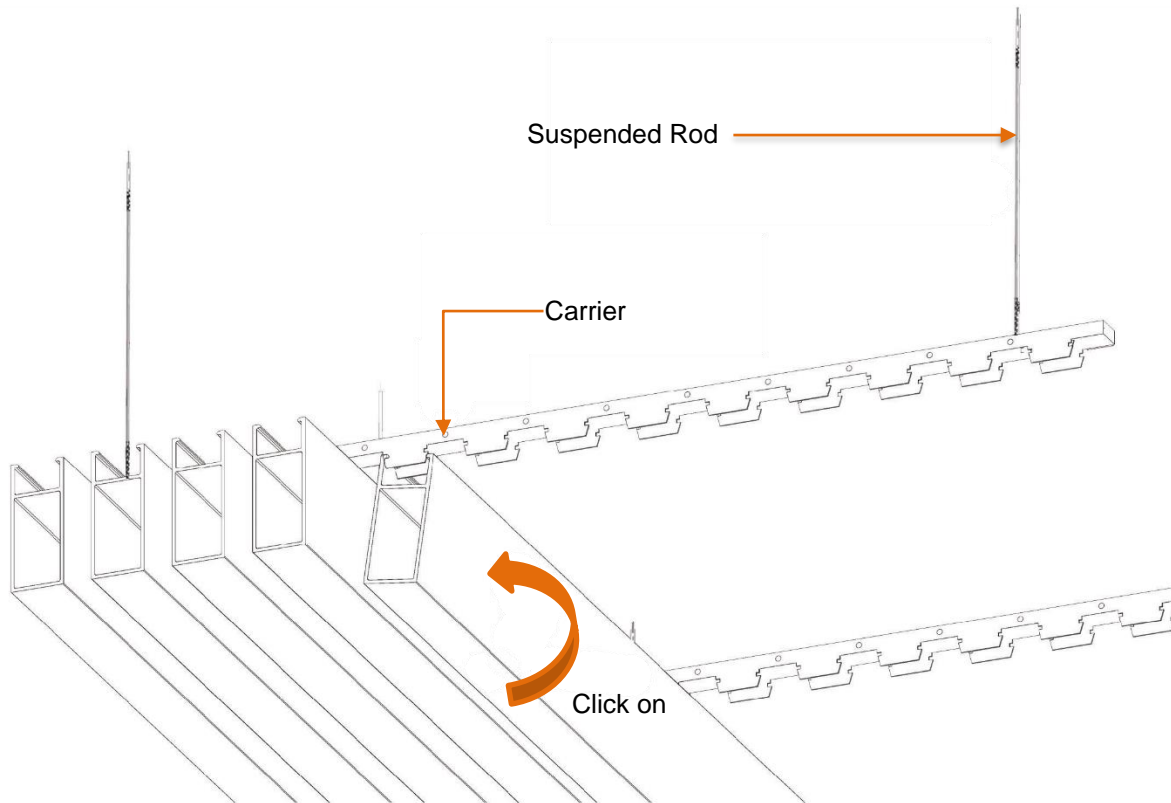
# Ceiling Deck Installation



# Typical Section



## Suspended Click on Fixing



1. Set the height of the ceiling.
2. Install the first row of carrier and allow an approximate 100mm distance from the wall.  
The span between 2 rows of carrier should not be more than 450mm.
3. The span between 2 suspended rods should not be more than 600mm
4. Install the ceiling deck by clicking the ceiling deck in the perpendicular direction onto the carrier until it is fixed.
5. Repeat this process until you reach the required width.

Your Installation Is Now Complete

### Remarks:

All specifications suggested in this guide are based on use under normal condition only. Kindly counter check with the supplier/manufacturer for use under special conditions.